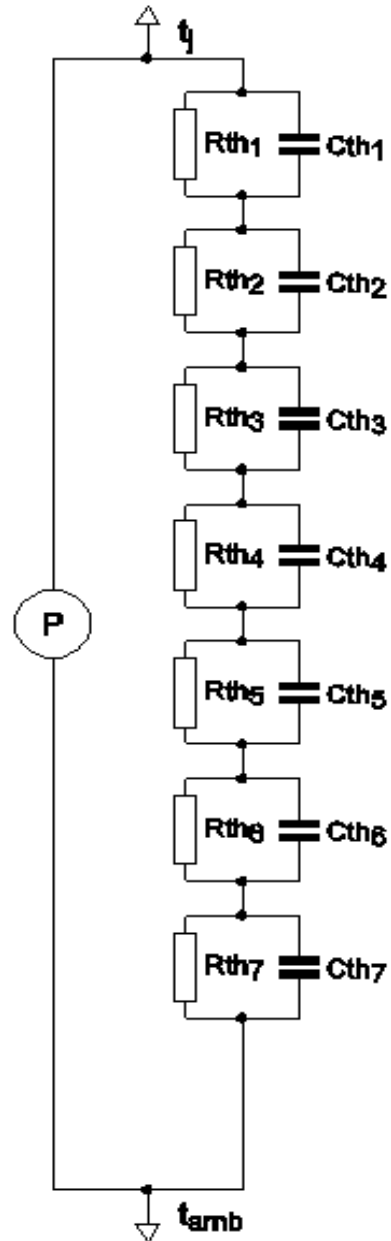


## SPICE thermal model

PSMN1R0-40YLD

Symbol	Parameter	Conditions	Min	Typ	Max	Unit
$R_{th(j-mb)}$	thermal resistance from junction to mounting base		-	-	0.51	K/W

$C_{th1}$	9.345E-05 F
$C_{th2}$	6.367E-04 F
$C_{th3}$	6.610E-04 F
$C_{th4}$	5.770E-03 F
$C_{th5}$	1.081E-02 F
$C_{th6}$	2.086E-02 F
$C_{th7}$	4.517E-01 F
$R_{th1}$	8.609E-04 $\Omega$
$R_{th2}$	1.439E-03 $\Omega$
$R_{th3}$	1.255E-02 $\Omega$
$R_{th4}$	1.844E-02 $\Omega$
$R_{th5}$	7.643E-02 $\Omega$
$R_{th6}$	3.735E-01 $\Omega$
$R_{th7}$	2.697E-02 $\Omega$



Part: PSMN1R0-40YLD  
 Date: 10/6/2014  
 Model Rth 0.51 K/W